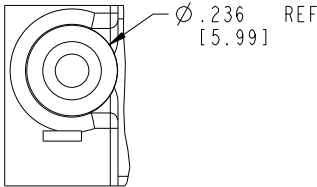


Tous droits strictement réservés. Reproduction ou communication o des liers interdite sous quelque forme que ce soit sans autorisation écrite du propriétaire. Propriete de c FCI. Droits de reproduction FCI.

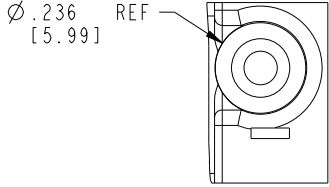


All rights strictly reserved. Reproduction or issue to third parties in any form whatever is not permitted without written authority from the proprietor. Property of FCI. Copyright FCI.

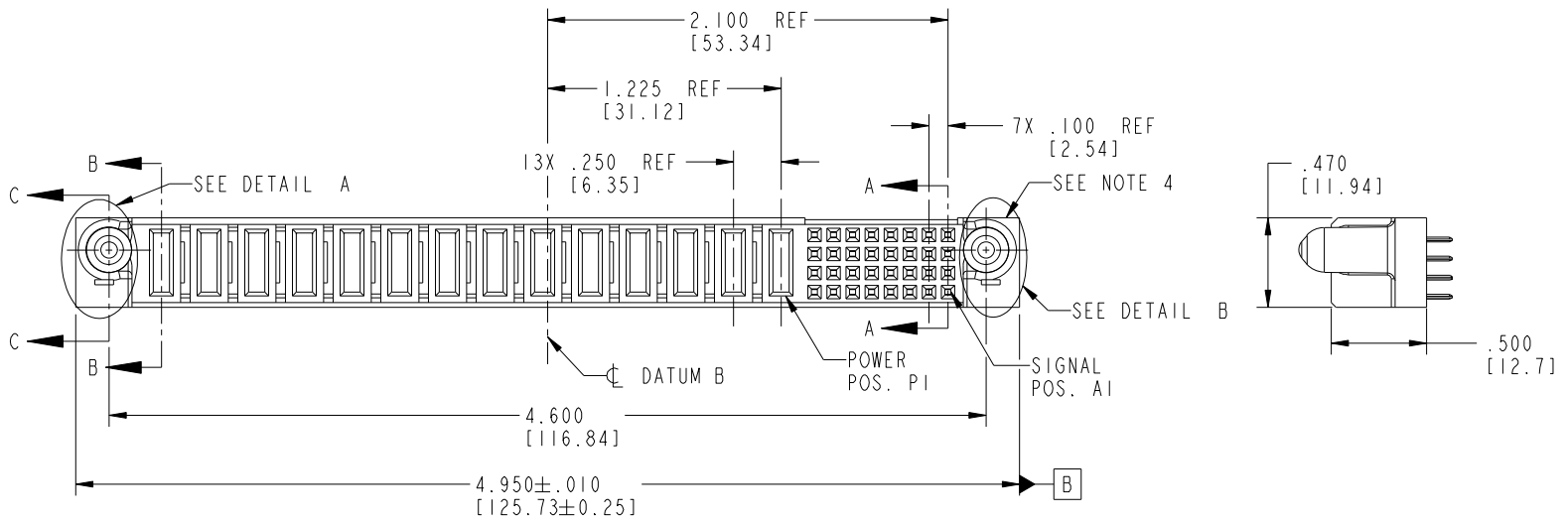
PRODUCT NO. 51751-001- <b>3</b>	ROWS D C B A	POWER														SIGNAL								E1	
		E2	P14	P13	P12	P11	P10	P9	P8	P7	P6	P5	P4	P3	P2	P1	8	7	6	5	4	3	2		1
			PD	PA	PD	PA	PD	PA	PD	PA	PD	PA	PD	PA	PD	PA	EEEEEEEE	EEEEEEEE	EEEEEEEE	EEEEEEEE	EEEEEEEE	EEEEEEEE	EEEEEEEE	EEEEEEEE	



DETAIL A  
SCALE 2:1



DETAIL B  
SCALE 2:1



CODE	DIM "M"	MATING LENGTH	CONTACT TYPE
E	N/A	[N/A]	SIGNAL
PA	.042	[1.07]	POWER
PD	.092	[2.34]	POWER

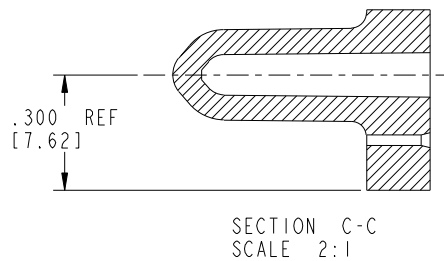
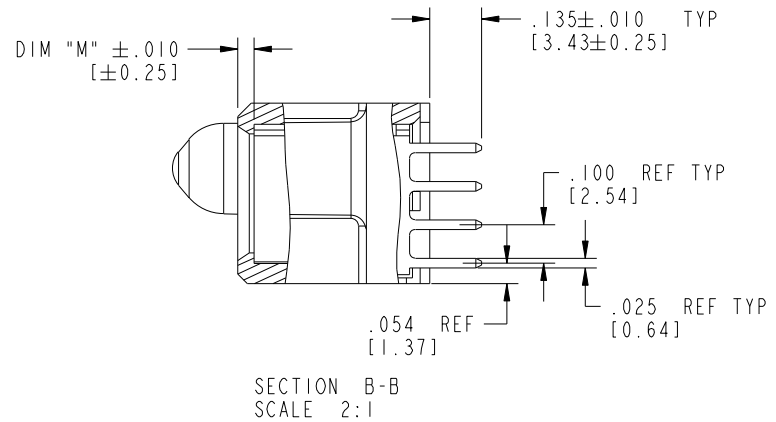
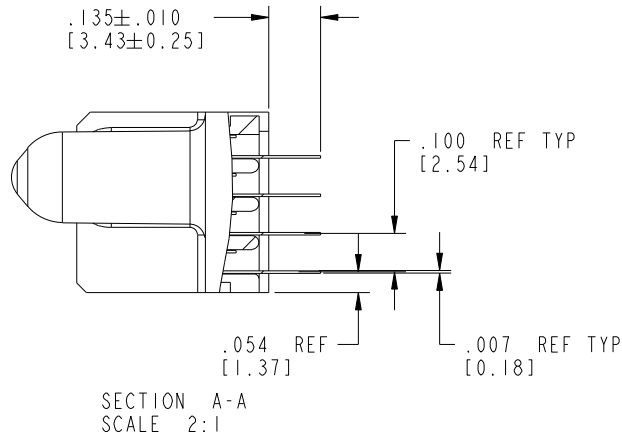
mat'l code			SEE NOTE 2	tolerances unless otherwise specified		CUSTOMER			www.fciconnect.com
ltr	ecn no.	dr	date	linear	.XX±.01/0.X±0.3	COPY			
A	V02550	JWS	11/02/04		.XXX±.005/0.XX±0.13	projection		product family	PwrBlade
B	V04-0915	TAB	09/24/04	angles	.XXX±.0020/0.XXX±0.051				
C	V04-1133	TAB	12/02/04		0° ± 2°	INCH/MM		dwg no	sheet
D	DG06-0367	JMG	09/07/06	dr	J. SHAFFER 11/02/00	scale			
				enrg	J. DODDS 11/02/00	1:1		1 of 4	
				chr	J. DODDS 11/02/00				
				appd	J. DODDS 11/02/00				
sheet index		revision sheet		D	D				
		1 2		D	D				
		3 4							

Tous droits strictement réservés. Reproduction ou communication a des tiers interdite sous quelque forme que ce soit sans autorisation écrite du propriétaire. Propriete de c FCI. Droits de reproduction FCI.

All rights strictly reserved. Reproduction or issue to third parties in any form whatever is not permitted without written authority from the proprietor. Property of FCI. Copyright FCI.



PRODUCT NUMBER  
51751-001\_ (3)



mat'l code		SEE NOTE 2		tolerances unless otherwise specified		CUSTOMER		FCI	
lir	ecn no.	dr	date	linear	.XX±.01/0.X±0.3	COPY		www.fciconnect.com	
D				projection	.XX±.005/0.XX±0.13	INCH/MM		title 32S + 14P	
				angles	.XXX±.0020/0.XXX±0.051	1:1		VERTICAL SOLDER RECEPT	
				dr	J. SHAFFER 11/02/00	scale		product family PwrBlade	
				engr	J. DODDS 11/02/00	A		code 213	
				chr	J. DODDS 11/02/00	51751-001		sheet 2 of 4	
				appd	J. DODDS 11/02/00	A		cage code 22556	
sheet index	revision sheet								

Pro/E

PDM: Rev: D

STATUS: Released

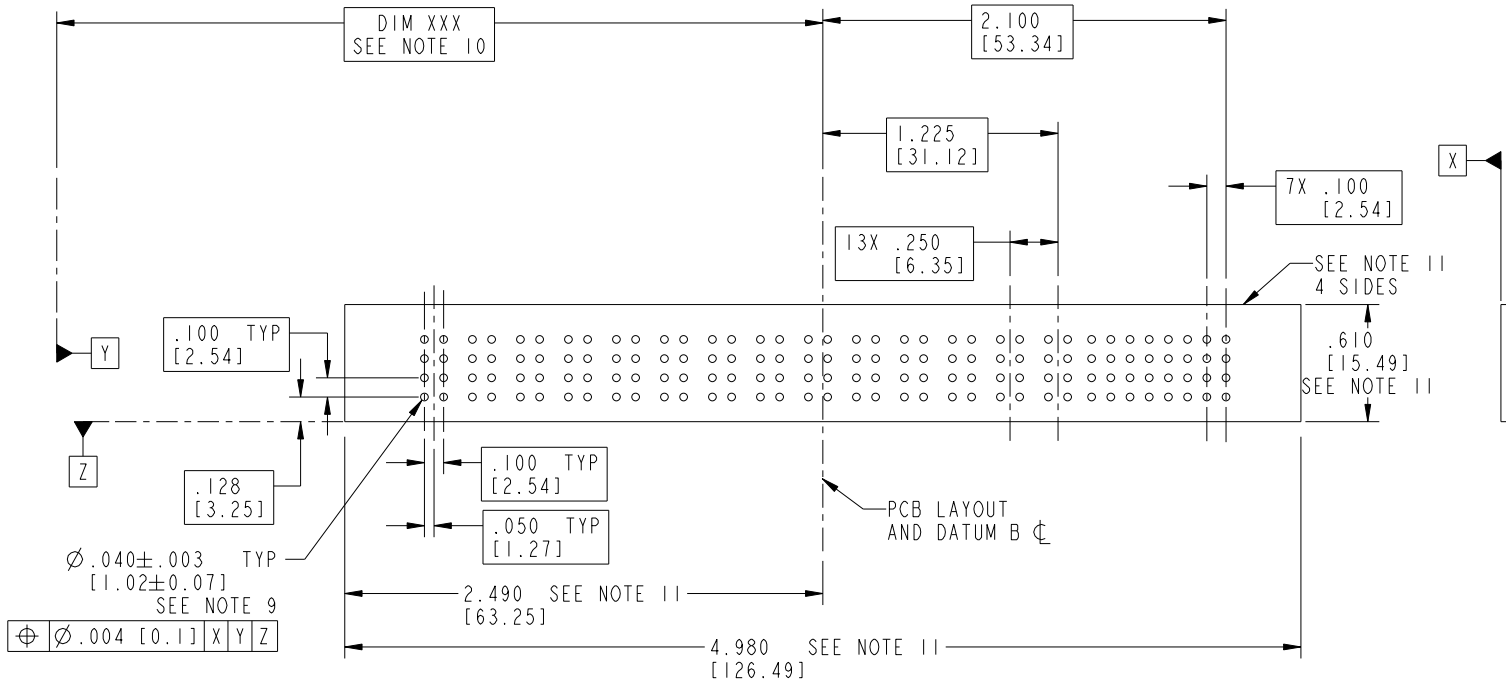
Printed: Aug 17, 2007

Tous droits strictement réservés. Reproduction ou communication a des tiers interdite sous quelque forme que ce soit sans autorisation écrite du propriétaire. Propriété de c FCI. Droits de reproduction FCI.



All rights strictly reserved. Reproduction or issue to third parties in any form whatever is not permitted without written authority from the proprietor. Property of FCI. Copyright FCI.

PRODUCT NUMBER  
51751-001\_ (3)



mat'l code		SEE NOTE 2		tolerances unless otherwise specified		CUSTOMER		FCI	
ltr	ecn no.	dr	date	linear	.XX±.01/0.X±0.3	COPY		www.fciconnect.com	
D				linear	.XX±.005/0.XX±0.13	projection		title 32S + 14P	
				angles	.XXX±.0020/0.XXX±0.051	INCH/MM		VERTICAL SOLDER RECEPT	
				dr	J. SHAFFER 11/02/00	scale		product family PwrBlade	
				engr	J. DODDS 11/02/00	1:1		code 213	
				chr	J. DODDS 11/02/00			size dwg no	
				appd	J. DODDS 11/02/00			A 51751-001	
sheet index		revision sheet						sheet 3 of 4	

Pro/E

PDM: Rev: D

STATUS: Released

Printed: Aug 17, 2007

PRODUCT NUMBER

51751-001\_\_ (3)

NOTES:

1. DIMENSIONS AND TOLERANCES ARE IN ACCORDANCE WITH ASME Y14.5M, 1994 UNLESS OTHERWISE SPECIFIED.

CONNECTOR NOTES:

- (2) HOUSING MATERIAL: UL 94 V-0 GLASS FILLED  
HIGH-TEMP THERMOPLASTIC  
POWER CONTACT MATERIAL: COPPER ALLOY  
SIGNAL PIN MATERIAL: COPPER ALLOY
- 3. 51751-001;51751-001LF;51751-001GLF PLATING SPEC. SEE PRINT:10064183

(4) MANUFACTURER'S NAME, P/N, AND DATE CODE TO APPEAR ON THIS SURFACE.

5. PRODUCT SPECIFICATION GS-12-149.  
APPLICATION SPECIFICATION BUS-20-067.

6. PACKAGED IN TRAYS.

PCB NOTES:

7. ALL HOLE DIAMETERS ARE FINISHED HOLE SIZE.

(8) MOUNTING HOLES, WHERE APPLICABLE, ARE UNPLATED.

(9)  $\varnothing .0453 \pm .0010$  [1.151  $\pm$  0.025] DRILLED HOLES PLATED WITH .0003 [0.008] MIN SnPb OVER .001 [0.03] TO .003 [0.08] Cu PLATING TO ACHIEVE  $\varnothing .040 \pm .003$  [1.02  $\pm$  .07] HOLE.

(10) "DIM XXX" TO BE DETERMINED BY THE CUSTOMER.

(11) CONNECTOR KEEP-OUT ZONE.

mat'l code		SEE NOTE 2		tolerances unless otherwise specified		CUSTOMER		FCJ	
ltr	ecn no.	dr	date	linear	.XX $\pm$ .01 / 0.X $\pm$ 0.3	COPY		www.fciconnect.com	
D				projection	.XXX $\pm$ .005 / 0.XX $\pm$ 0.13			title	
				angles	.XXX $\pm$ .0020 / 0.XXX $\pm$ 0.051			32S + 14P	
				dr	0° $\pm$ 2°			VERTICAL SOLDER RECEPT	
				enr	J. SHAFFER 11/02/00			product family	
				chr	J. DODDS 11/02/00	PwrBlade		213	
				appd	J. DODDS 11/02/00	size		sheet	
sheet index		revision sheet		scale		A		4 of 4	
				1:1		51751-001			

Tous droits strictement réservés. Reproduction ou communication a des tiers interdite sous quelque forme que ce soit sans autorisation écrite du propriétaire. Propriete de c FCI. Droits de reproduction FCI.



All rights strictly reserved. Reproduction or issue to third parties in any form whatever is not permitted without written authority from the proprietor. Property of FCI. Copyright FCI.